

Specification

XRG 225/1000

Setting range kV	20 kV to 225 kV
Maximum power	1000 W
Setting range mA	0.5 mA to 10 mA
Interfaces	Ethernet, M12

High voltage	
Absolute accuracy	±0.5 %
Reproducibility	±0.1 %
High voltage stability	5 V/mA, minimum 20 V
Temperature drift	< 50 ppm/°C
High voltage receptacle	R28

Emission current	
Absolute accuracy	±1 %
Reproducibility	±0.1 %
Emission current stability	±0.1 %
Temperature drift	< 50 ppm/°C
Focus	large

Mains connection	
High voltage generation	90 V AC to 250 V AC, 10 A, single phase, 50 / 60 Hz
Auxiliary power	90 V AC to 250 V AC, 3.15 A, single phase, 50 / 60 Hz

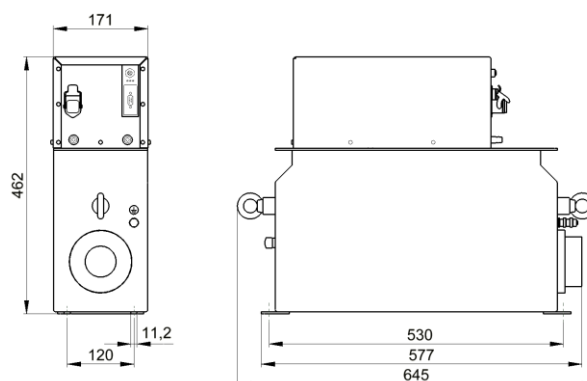
Cable length	
High voltage cable	maximum 12 m

Cooling	
Connection	quick connect for liquid cooling
Cooling media	all admissible cooling media according to IMS
Cooling medium temperature	minimum 25 °C and ≥ environmental temperature, maximum +40 °C

Ambient conditions	
Operation	0 °C to +40 °C, 80 % relative humidity, non-condensing
Storage	-10 °C to +60 °C, 90 % relative humidity, non-condensing

IP code	IP30
---------	------

Dimensions and weight	
L x W x H	645 x 171 x 462 mm
Weight	40 kg



IMS Röntgensysteme GmbH
 Dieselstraße 52
 42579 Heiligenhaus
 Germany

Phone +49 2056 975 600
 Fax +49 2056 975 601

info@ims-roentgensysteme.de
 www.ims-roentgensysteme.de

