

Specification

XRG 100/1000

Setting range kV	5 kV to 100 kV
Maximum power	1000 W
Setting range mA	0.5 mA to 17.5 mA
Interfaces	Ethernet, M12

High voltage	
Absolute accuracy	±0.5 %
Reproducibility	±0.1 %
High voltage stability	5 V/mA, min. 20 V
Temperature drift	< 50 ppm/°C
High voltage receptacle	R10

Emission current	
Absolute accuracy	±1 %
Reproducibility	±0.1 %
Emission current stability	±0.1 %
Temperature drift	< 50 ppm/°C
Focus	large

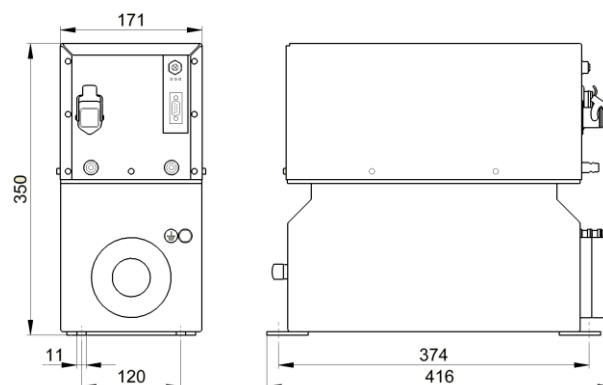
Mains connection	
High voltage generation	90 V AC to 250 V AC, 10 A, single phase, 50 / 60 Hz
Auxiliary power	90 V AC to 250 V AC, 2 A, single phase, 50 / 60 Hz

Cable length	
High voltage cable	max. 20 m

Cooling	
Connection	quick connect for liquid cooling
Cooling media	all admissible cooling media according to IMS
Cooling medium temperature	min. ≥ environmental temperature max. +40 °C

Ambient conditions	
Operation	0 °C to +50 °C, 80 % rel. humidity, non-condensing
Storage	-10°C to +60 °C, 90 % rel. humidity, non-condensing

Protection class	IP54
Dimensions and weight	
l x w x h	416 x 171 x 350 mm
Weight	23,5 kg



IMS Röntgensysteme GmbH
 Dieselstraße 52
 42579 Heiligenhaus
 Germany

Phone +49 2056 975 600
 Fax +49 2056 975 601

info@ims-roentgensysteme.de
 www.ims-roentgensysteme.de

