

# Specification

# XRG 100/1000/01

Setting range kV	5 kV to 100 kV
Maximum power	1000 W
Setting range mA	0.5 mA to 17.5 mA
Interfaces	Ethernet, M12

<b>High voltage</b>	
Absolute accuracy	±0.5 %
Reproducibility	±0.1 %
High voltage stability	5 V/mA, min. 20 V
Temperature drift	< 50 ppm/°C
High voltage receptacle	CA11/CA45

<b>Emission current</b>	
Absolute accuracy	±1 %
Reproducibility	±0.1 %
Emission current stability	±0.1 %
Temperature drift	< 50 ppm/°C
Focus	large

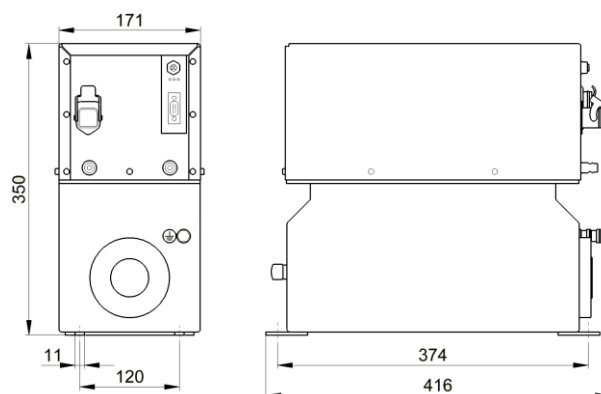
<b>Mains connection</b>	
High voltage generation	90 V AC to 250 V AC, 10 A, single phase, 50 / 60 Hz
Auxiliary power	90 V AC to 250 V AC, 2 A, single phase, 50 / 60 Hz

<b>Cable length</b>	
High voltage cable	max. 20 m

<b>Cooling</b>	
Connection	quick connect for liquid cooling
Cooling media	all admissible cooling media according to IMS
Cooling medium temperature	min. ≥ environmental temperature max. +40 °C

<b>Ambient conditions</b>	
Operation	0 °C to +50 °C, 80 % rel. humidity, non-condensing
Storage	-10°C to +60 °C, 90 % rel. humidity, non-condensing

<b>Protection class</b>	IP54
<b>Dimensions and weight</b>	
l x w x h	416 x 171 x 350 mm
Weight	21,0 kg



IMS Röntgensysteme GmbH  
 Dieselstraße 52  
 42579 Heiligenhaus  
 Germany

Phone +49 2056 975 600  
 Fax +49 2056 975 601

info@ims-roentgensysteme.de  
 www.ims-roentgensysteme.de

