

Specification

XRG 40/200/01

Setting range kV	5 kV to 40 kV
Maximum power	200 W
Setting range mA	0.5 mA to 10 mA
Interfaces	Ethernet, M12

High voltage	
Absolute accuracy	±0.5 %
Reproducibility	±0.1 %
High voltage stability	5 V/mA, min. 20 V
Temperature drift	< 50 ppm/°C
High voltage receptacle	CA11/CA45

Emission current	
Absolute accuracy	±1 %
Reproducibility	±0.1 %
Emission current stability	±0.1 %
Temperature drift	< 50 ppm/°C
Focus	large

Mains connection	
High voltage generation	90 V AC to 250 V AC, 4 A, single phase, 50 / 60 Hz
Auxiliary power	90 V AC to 250 V AC, 2 A, single phase, 50 / 60 Hz

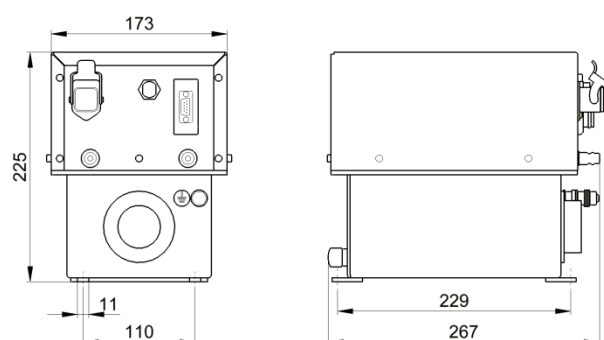
Cable length	
High voltage cable	max. 20 m

Cooling	
Connection	quick connect for liquid cooling
Cooling media	all admissible cooling media according to IMS min. ≥ environmental temperature max. +40 °C
Cooling medium temperature	

Ambient conditions	
Operation	0 °C to +50 °C, 80 % rel. humidity, non-condensing
Storage	-10°C to +60 °C, 90 % rel. humidity, non-condensing

Protection class	IP54
------------------	------

Dimensions and weight	
l x w x h	276 x 174 x 225 mm
Weight	10,5 kg



IMS Röntgensysteme GmbH
 Dieselstraße 52
 42579 Heiligenhaus
 Germany

Phone +49 2056 975 600
 Fax +49 2056 975 601

info@ims-roentgensysteme.de
 www.ims-roentgensysteme.de

